

EASY LIFE

# USER MANUAL

Sytech



PROFESSIONAL **ACOUSTIC SYSTEM**

# SY-X8000BAT

## Welcome

Thank you for purchasing the new Wireless professional acoustic system “Drumbeat Series” SY-X8000BAT. Please read this manual carefully before operating your product and pay close attention to the safety precautions mentioned below. Store this user manual in a safe place for future reference.

## Safety Precautions



The lightning flash with arrowhead symbol, within an equilateral triangle is intended to alert the user to the presence of insulated ‘dangerous voltage’ within the product’s enclosure that may be of sufficient magnitude to constitute a risk of electric shock to persons.



The exclamation point within an equilateral triangle is intended to alert the user to the presence of important operating and maintenance (servicing) instructions in the literature accompanying the appliance.



Protective grounding terminal



Alternating current voltage

### Important safety instructions:

- 1) Read this Instruction Manual before you attempt to connect or operate the appliance.
- 2) Keep these instructions in good condition. Heed all warnings. Follow all instructions.
- 3) Save this Instruction Manual for future reference.
- 4) The apparatus shall not be exposed to dripping or splashing and no objects filled with liquids, such as vases, shall be placed on the product. Use the product in a dry location only.
- 5) No naked flame source, such as candles, should be placed on the product.
- 6) Children should be supervised to ensure that they do not play with the appliance.
- 7) Ventilation should not be impeded by covering the ventilation openings.
- 8) Ensure that the unit is plugged into an AC 100-240V, 60/50Hz power outlet. Using higher voltage may cause the unit to malfunction or even fire catching. Turn off the unit before unplugging it from power source to completely switch it off.
- 9) Do not plug/ unplug the power plug into/from an electrical outlet with wet hands.
- 10) If the power plug does not fit into your outlet, do not force the plug into an electrical socket if it does not fit.
- 11) Use replacement parts, which are specified by the manufacturer.
- 12) Install the unit in accordance with the manufacturer’s instructions.
- 13) Place the unit where there is good ventilation. Place the system on a flat, hard and stable surface. Do not expose to temperatures above 40°C. Allow at least 30 cm clearance from the rear and the top of the unit and 5 cm from each side.
- 14) Press the buttons of the unit gently. Pressing them too hard can damage the unit.
- 15) Dispose of used batteries in an environmental-responsible

- manner.
- 16) Always ensure that the product is unplugged from the electrical outlet before moving or cleaning. Clean it with a dry cloth only.
  - 17) Unplug the product during lightning, storms or when it will not be used for a long period.
  - 18) This product has no user-serviceable parts. Do not attempt to repair this product yourself. Only qualified service personnel should perform servicing. Take the product to the electronics repair shop of your choice for inspection and repair.
  - 19) NEVER let anyone, especially children, push anything into holes, slots or any other openings in the unit's casing as this could result in a fatal electric shock.
  - 20) Do not mount this product on a wall or ceiling.
  - 21) Do not place the unit near TVs, speakers and other objects that generate strong magnetic fields.
  - 22) Do not leave the unit unattended when it is in use.

### **Product cleaning.**

Use a soft dry cloth for periodic cleaning of the product. For more severe stains, please dampen the cloth with water only. Anything else has the chance of dissolving the paint or damaging the plastic.

### **Temperature.**

Be sure the temperature inside the room is between +35°C (+95°F) and -10°C (+14°F) before turning the unit on.

### **Servicing.**

If any problem occurs with the speaker, do not attempt to repair the unit yourself. Contact Sytech technical service center for a proper solution. Any manipulations of the unit will void the warranty.

### **Placement:**

Place the speaker on a flat and strong surface. Make sure the product has enough space around for sufficient ventilation.

### **Heat.**

Do not place the speaker near direct heat sources such as a radiator, stove, direct sunlight or any other appliance that produces heat.

### **Accessories.**

Always use the provided original accessories. Do not use any third party accessory as this can damage the unit.

### **Power Supply.**

Before inserting the mains plug into the socket, check that the mains supply voltage and current rating corresponds to the power supply specifications shown on the rear plate of the unit.

### **Water Moisture.**

Always protect the speaker from moisture and rain. This product is intended to be used indoor and should not be exposed to water. Do not use the speaker near a bathtub, kitchen sink or swimming pool.

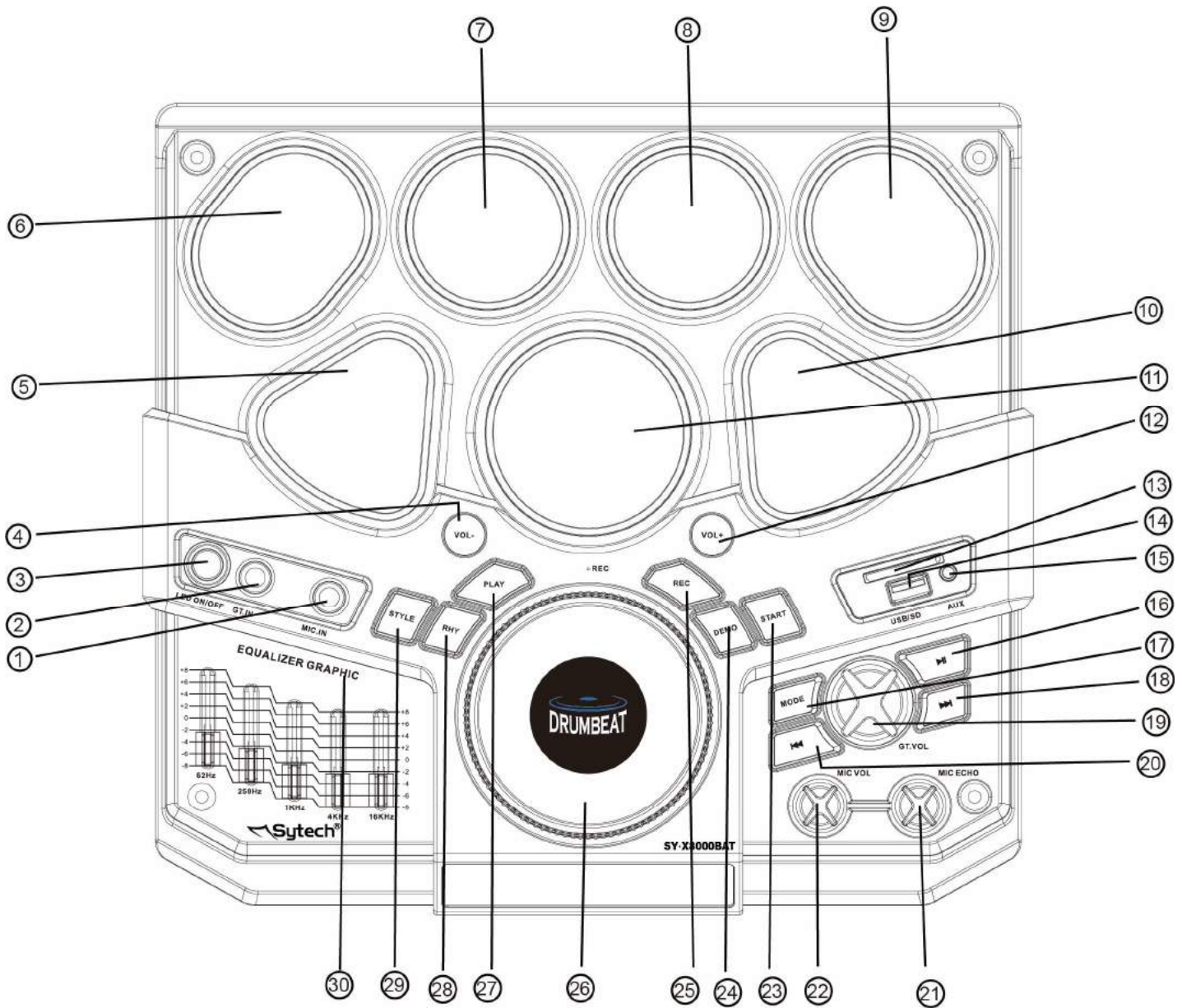
### **Power cord and plug.**

Always make sure the power cord and its plug are intact. Do not walk over the cable or plug. Do not use the mains plug as a switch to On or Off the unit. Use the switch button located at the rear of the unit to On or Off the unit.

### **Volume level.**

Listening at high volume for long periods may damage your hearing. Select a suitable volume level.

## Control panel



- |                             |   |
|-----------------------------|---|
| 1. Microphone input         | 16. Play / Pause key                        |
| 2. Guitar input             | 17. Mode function                           |
| 3. LED On/Off key           | 18. Next track / Next radio preset          |
| 4. Decrease Drum volume     | 19. Guitar volume                           |
| 5. Drum pad (Ride Cymbal)   | 20. Previous track / Previous radio preset  |
| 6. Drum pad (High Tom)      | 21. Microphone Echo effect                  |
| 7. Drum pad (Hi Hat)        | 22. Microphone volume control               |
| 8. Drum pad (Snare drum)    | 23. Play/Pause selected rhythm – Pause Demo |
| 9. Drum pad (Low Floor Tom) | 24. Demo function                           |
| 10. Drum pad (Crash Cymbal) | 25. Record drum effect                      |
| 11. Drum pad (Low Mid)      | 26. Master volume control                   |
| 12. Increase Drum volume    | 27. Playback recorded drum effect           |
| 13. SD card slot            | 28. Rhythm effects                          |
| 14. 2.0 USB port            | 29. Drum Style effects                      |
| 15. Aux input               |   |

# Remote Control Functions

1. Stop key
2. Play / Pause – FM Scan
3. Mode function
4. Numerical keys
5. Volume increase
6. Volume decrease
7. Previous track – Previous FM preset
8. Next track – Next FM preset
9. Repeat function
10. Mute function
11. EQ presets

#### Battery Installation:

Remove the cover of the battery compartment of the remote control according to the diagram on the right side.

**Step 1:** Press the ridged area rightward.

**Step 2:** At the same time, pull the battery tray out.

**Step 3:** Place a CR2025 lithium battery on the tray with the positive side facing upward.

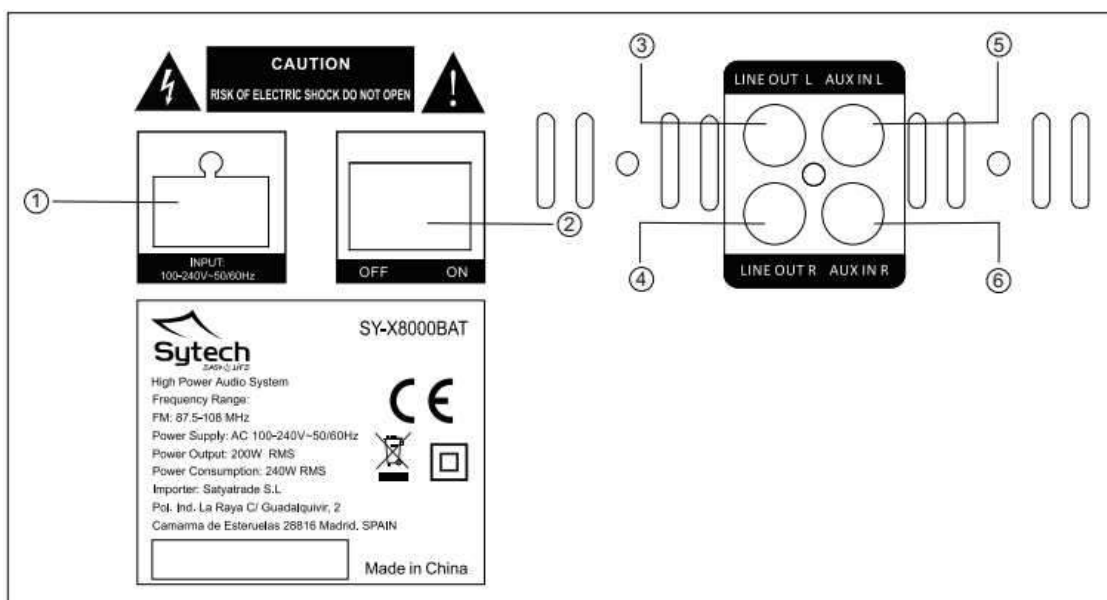
**Step 4:** Replace the cover.



\*\*\*This picture is for reference purposes only.

1. Under normal circumstances, the remote control should be aimed directly at the receiving window of the unit from about 6 meters and within a 30° angle.
2. When operating the remote control, aim the remote control at the receiving window of the unit and ensure that there are no obstacles between the remote control and the unit.
3. If the remote receiver is in a position to direct sunlight, it may fail. In this case, move the speaker away to avoid the light.
4. Avoid mixing old and new batteries. Replace the remote control batteries regularly.

## Rear connections



1. AC Input
2. Main Power On/Off
3. Line out L
4. Line out R
5. Aux Input L
6. Aux Input R

## USB and TF

- Make sure your SD card or USB stick is as FAT or FAT32 format. If not the speaker will not recognize the memory device.
- The playback sequence of the speaker is based on the way the files are saved. If the master folder has files saved as 01, 02 or 03... The speaker will play the 01 file first.
- Copy an MP3 or WMA format music file (download) to the root directory of a USB disc or SD card. It is advisable to remove unnecessary files and the file catalog in order for the unit to read the USB/TF card faster and reduce reading errors when playing songs.
- Insert a USB or a SD card and press the Play/pause button for playback.
- Press the Next or Previous buttons to select last track or the following track.
- Press the Repeat button once on the remote control to repeat the current track. Press twice to repeat all the tracks.

## Bluetooth connection

- Press the Mode button on the control panel or the remote control to select Bluetooth mode. The LCD display should indicate "BT". Now the Speaker is set under BT mode and is ready to search for nearby BT devices.
- Make sure to enable the Bluetooth function from your device and make it visible.
- Press the search key on your device to look for the speaker.
- Once the device finds the speaker, SY-X8000BAT should appear on your device. Press connect to pair the device with your speaker.
- Select the current track on your device and press play to transmit the sound across the speaker.
- Control all the functions from the top control panel or the remote control of the speaker. Press the next or previous key to select the desired track.
- After the connection is successfully established, you can begin to play music. To ensure continuous stability of the music signal, try to keep the BT device and the mobile phone facing one another.
- The BT of the unit can be used up to 10 meters if there are no barriers.

## FM Radio

- Press the Mode button on the control panel or the remote control to select FM radio.
- Press and hold the "Play ►||" button during two or three seconds.
- The speaker scans all the stations and automatically and stores the 30 channels with best reception.
- Once the channels are saved, simply press the previous or next button on the control panel or the remote control to browse between the different presets.
- Press on the remote control the numerical key to select the desired preset memory station.

## Recording Function

- The recording function works under any selected mode.
- The recording function only records the composition of the drums.
- Press the "REC" button (under any mode) to start recording.
- The LCD display indicates the selected mode.
- To stop the recording and playback, simply press the "PLAY" button.

- The recording is stored in the internal memory of the device
- It is possible to change the style of the music drum while playing or during playback of the recording. (Press Style button on the control panel)

## Aux In (RCA in)

- Press the Mode button to select "AUX" function.
- Connect an external audio device using a cable with 3.5mm jack on one side and RCA on the other.
- Connect a Smartphone, Tablet or any other audio device to play the tracks on the speaker.

## Microphone & Guitar function

- Connect a microphone or a guitar making sure the jack input is 6.5mm.
- Select any Mode function to start singing via the microphone or play any electronic instrument.  
Note: The microphone or electronic instrument will sound regardless of the selected playback mode.

## Technical Specifications

### Basic Specifications

- High resistant material finishing
- FM tuner with 30 preset memory stations
- Built-in amplifier for connecting musical instruments: Electric guitar, Electronic keyboard
- LED display
- RGB lights integrated on the speaker (Blue, Purple, Yellow, Red, Green)
- Recording function
- Aux in function
- Microphone input
- EQ presets

### Bluetooth Specifications

- Bluetooth Module: RTL8761
- Bluetooth Version: V2.1 + EDR
- Bluetooth Support 4.0
- Bluetooth Profiles: A2DP, AVRCP
- Bluetooth Pairing name: SY-X8000BAT
- Compatible Audio Formats in Bluetooth: MP3/WMA

### USB/TF card Specifications

- Voltaje de carga USB: 5V. 500mAh
- 2.0 USB Port (Max Capacity: 64GB)
- TF Card Slot (Max Capacity: 64GB)
- Compatible Audio Formats in USB: MP3/WMA
- Compatible Audio Formats in TF: MP3/WMA

## Technical Specifications



- Output power: 200W RMS
- Input sensitivity: 500mV±50mV
- SNR: ≥70dB
- Frequency response: 20Hz-20 kHz
- Power supply: AC100V- AC240V, 60Hz/50Hz
- 2 ways speakers: 2 x woofers 10". (2 x 80W). + 1 x tweeter 3" x 40W
- Dimensions: 36 x 99,3 x 34 cm. (Width/Height/Depth)
- Weight: 16,53 Kg.

- Above specifications are the specifications of SY-XT58 "Streambeat Series" and are for reference purpose only.
- Due to continuous product development, specifications may be subject to change without prior notification.
- Do not expose to adverse weather conditions (Such as rain or high temperatures) as it can cause malfunctions

## Troubleshooting

Fault	Possible Cause	Solution
<b>No sound</b>	<ol style="list-style-type: none"> <li>1. No input sound source.</li> <li>2. Volume is too low.</li> </ol>	<ol style="list-style-type: none"> <li>1. Use a better music signal.</li> <li>2. Adjust the volume.</li> </ol>
<b>Distortion of sound</b>	<ol style="list-style-type: none"> <li>1. Volume too high.</li> <li>2. Speaker may be damaged.</li> </ol>	<ol style="list-style-type: none"> <li>1. Turn down the volume.</li> <li>2. If speaker is damaged, contact the technical department.</li> </ol>
<b>Karaoke does not work</b>	<ol style="list-style-type: none"> <li>1. Microphone plug is not fully inserted.</li> <li>2. Microphone switch is not on.</li> <li>3. Microphone volume knob is at the lowest position.</li> </ol>	<ol style="list-style-type: none"> <li>1. Plug microphone properly into the socket.</li> <li>2. Turn on microphone switch.</li> <li>3. Adjust microphone volume properly.</li> </ol>
<b>MP3 does not play</b>	<ol style="list-style-type: none"> <li>1. The song format in the USB disc is incorrect.</li> <li>2. Improper operation has caused a process disorder.</li> <li>3. USB disc/SD is disconnected.</li> </ol>	<ol style="list-style-type: none"> <li>1. Transform song format into Mp3 format.</li> <li>2. Reboot the machine.</li> <li>3. Insert the USB disc/SD properly.</li> </ol>

## Declaration of Conformity

Manufacturer Name: Satyatrade S. L.  
 Address: Pol.Ind.La Raya. C/ Guadalquivir, 2.  
 Camarma de Esteruelas, 28816 Madrid  
 Tel: 902 430 967  
 Fax: 91 8864285  
 NIF: B83254763  
 Manufacturing country: China  
 Description: Trolley Speaker  
 Sytech® SY-X8000BAT complies with the following directives:

RED Standard: Directive 2014/53/EU  
 EN 62479:2010  
 EN 60065:2014

Signed: Ajeet Nebhwani Utamchandani  
 Sole Administrator